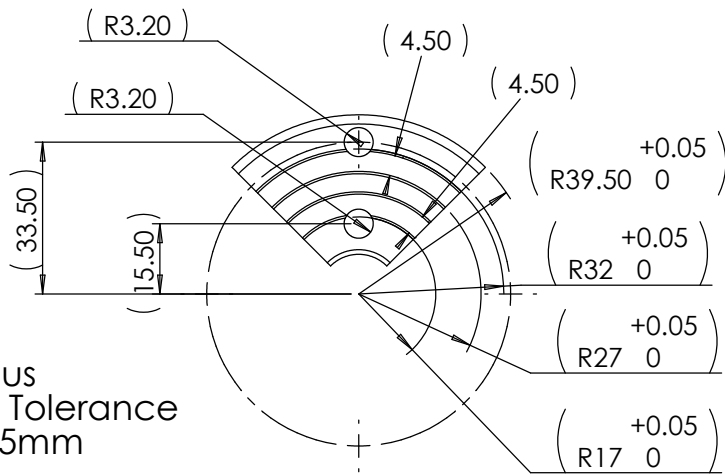
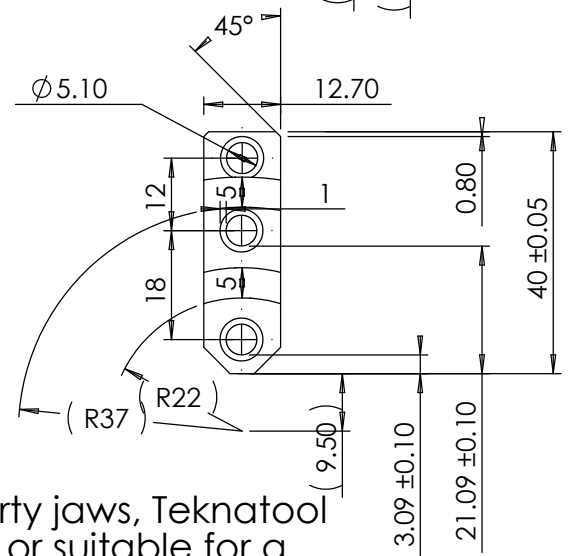
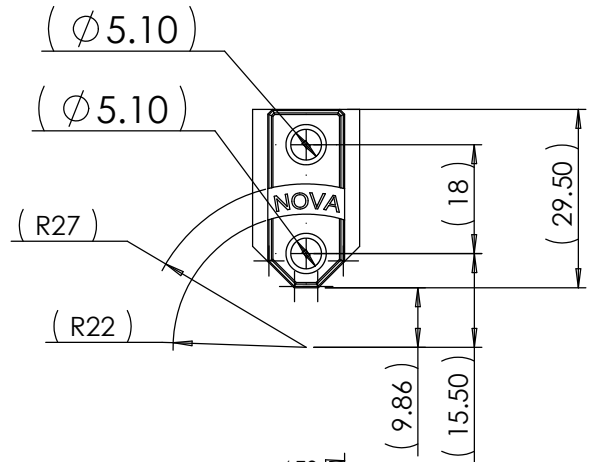
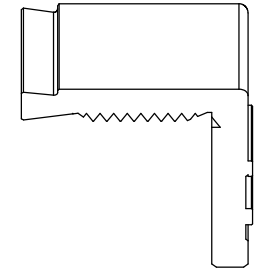
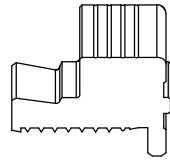
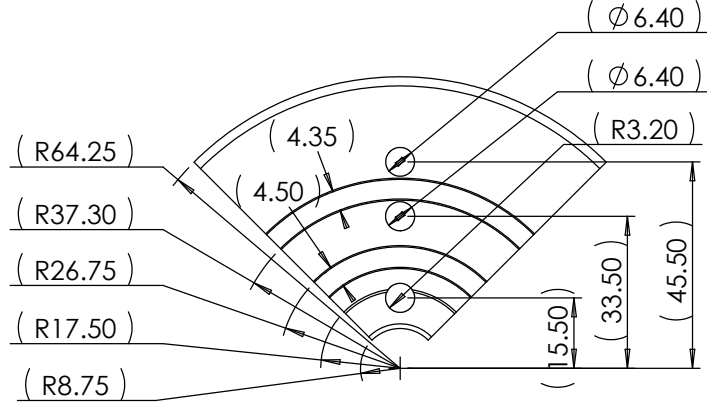


THE INFORMATION CONTAINED IN THIS DRAWING IS THE SOLE PROPERTY OF TEKNATOOL INTERNATIONAL. ANY REPRODUCTION IN PART OR WHOLE WITHOUT THE WRITTEN PERMISSION FROM TEKNATOOL INTERNATIONAL IS PROHIBITED.



All Radius Have a Tolerance of + 0.05mm



**Disclaimer: WARNING**  
 While attachment dimensions are provided for 3rd party jaws, Teknatool cannot warrant any particular attachment to be safe or suitable for a particular use. All jaws and attachments must be determined to be safe and that the manufacture of the jaws be observed and approved by a competent engineer.

ANGLES = ±1 DEG  
 ALL DIMENSIONS IN MILLIMETERS  
 ALL TOLERANCES ± 0.50 UNLESS STATED

CAD GENERATED DRAWING. DO NOT MANUALLY UPDATE

**Teknatool International Ltd**  
 65 The Concourse  
 Henderson  
 Auckland  
 New Zealand  
 Ph: 09 837 6900  
 Fax: 09 837 6901  
 Email: design@teknatool.com



PART DESCRIPTION:  
 DRAWN BY: Kevin.M  
 DATE: 02-06-2004

CHECKED: DATE: SCALE: NTS SHEET 1 OF 1 MATERIAL: Ø 100mm K1045 x 21.5-22.5mm Billet

DWG. NO.: 3rd Party Jaw Attachment Drawing  
 ISSUE: A

DATE	CHANGES	ISSUE